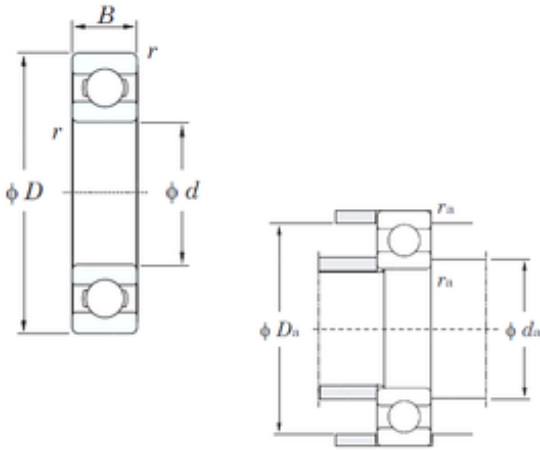




China 608 Bearing Supplier



6205 Bearing 2D drawings and 3D CAD models

SKF/NSK/Koyo/NTN 6205 High Speed and Low Noise Deep Groove Ball Bearing

Bearing No. 6205

Size	25x52x15 mm
Bore Diameter	25 mm
Outer Diameter	52 mm
Width	15 mm
d	25 mm
D	52 mm
B	15 mm
C	15 mm
r min.	1 mm
da min.	30 mm
Da max.	47 mm
ra max.	1 mm
Weight	0,128 Kg
Basic dynamic load rating (C)	14 kN
Basic static load rating (C0)	7,85 kN
(Grease) Lubrication Speed	13000 r/min
(Oil) Lubrication Speed	15000 r/min
Category	Single Row Ball Bearings
Inventory	0.0
Manufacturer Name	KOYO
Minimum Buy Quantity	N/A
Weight / Kilogram	0.142
EAN	0605790059476
Product Group	B00308
Enclosure	Open



China 608 Bearing Supplier

Precision Class	ABEC 1 ISO P0
Maximum Capacity / Filling Slot	No
Rolling Element	Ball Bearing
Snap Ring	No
Internal Special Features	No
Cage Material	Steel
Internal Clearance	C0-Medium
Inch - Metric	Metric
Long Description	25MM Bore; 52MM Outside Diameter; 15MM Outer Race Width; Open; Ball Bearing; ABEC 1 ISO P0; No Filling Slot; No Snap Ring; No Internal Special Features; C0-Medium Internal Clearance; Steel Cage
Other Features	Deep Groove
Category	Single Row Ball Bearing
UNSPSC	31171504
Harmonized Tariff Code	8482.10.50.68
Noun	Bearing
Keyword String	Ball
Manufacturer URL	http://www.koyousa.com
Weight / LBS	0.28219
Inner Race Width	0 Inch 0 Millimeter
Outer Race Width	0.591 Inch 15 Millimeter
Bore	0.984 Inch 25 Millimeter
Outside Diameter	2.047 Inch 52 Millimeter
Bearing No.	6205
r(min)	1
Cr	17.5
C0r	7.85
Cu	0.550



China 608 Bearing Supplier

f0	13.9
Grease lub.	13000
Oil lub.	15000
da(min)	30
Da(max)	47
ra(max)	1
(Refer.) Mass(kg)	0.128